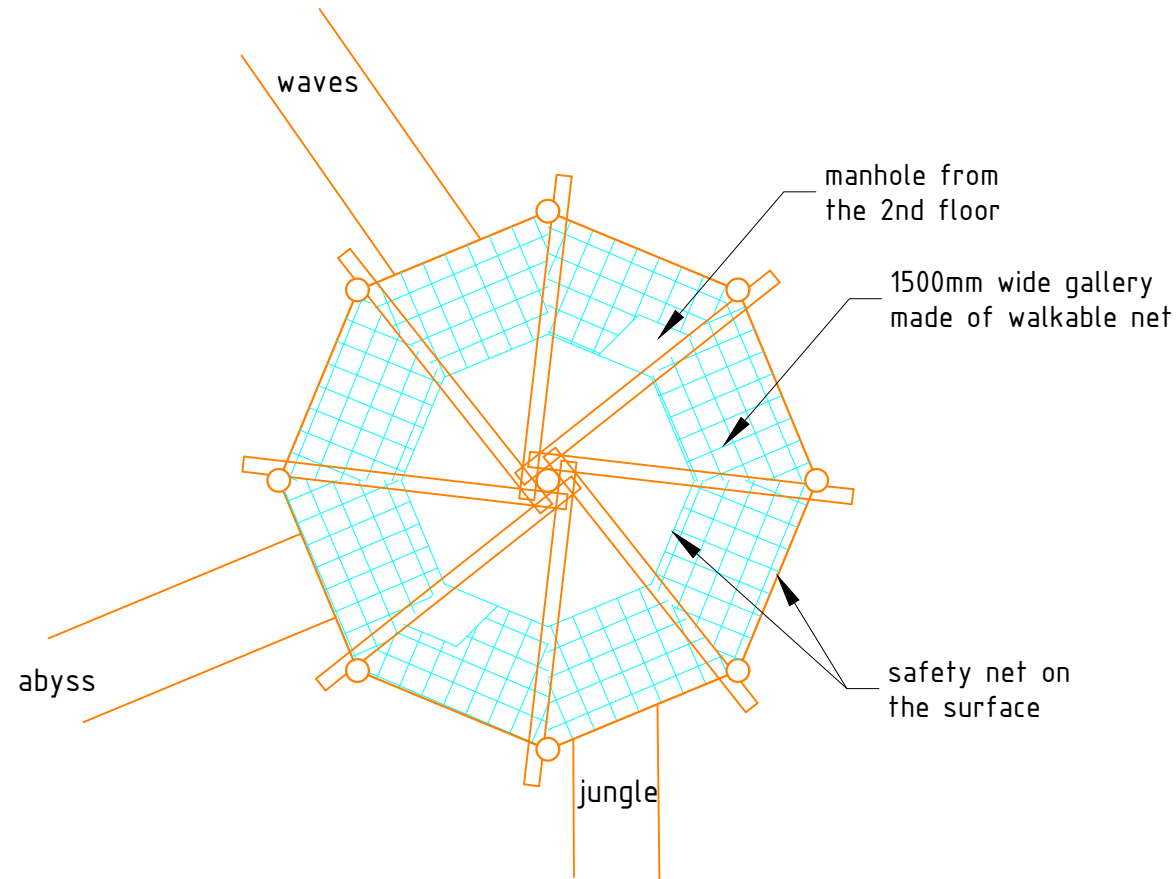
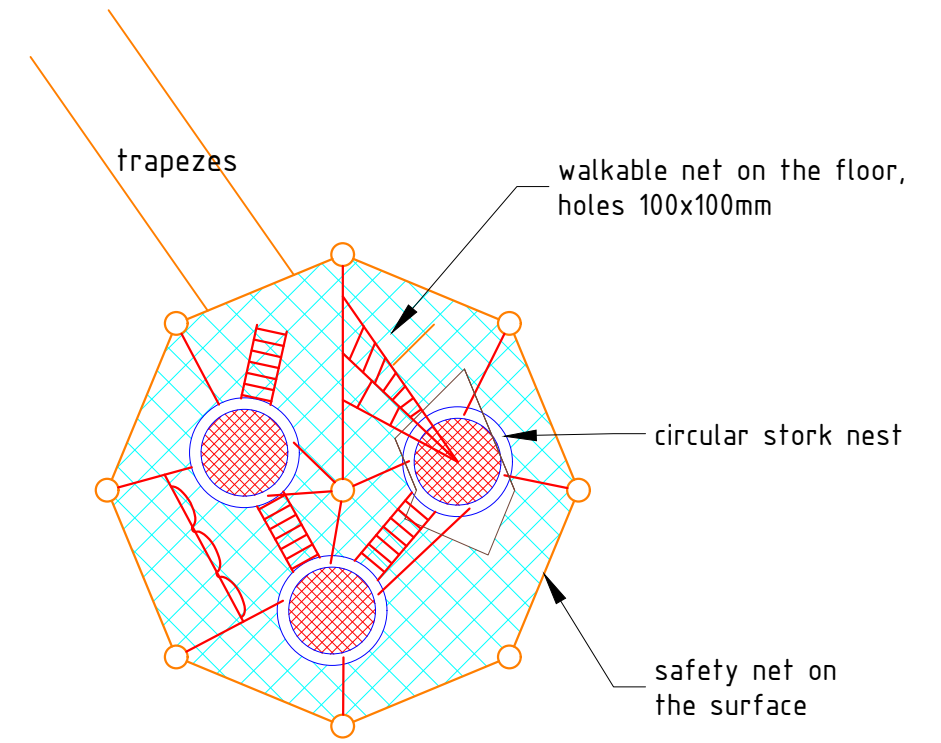


TOWER T4 M 1:100

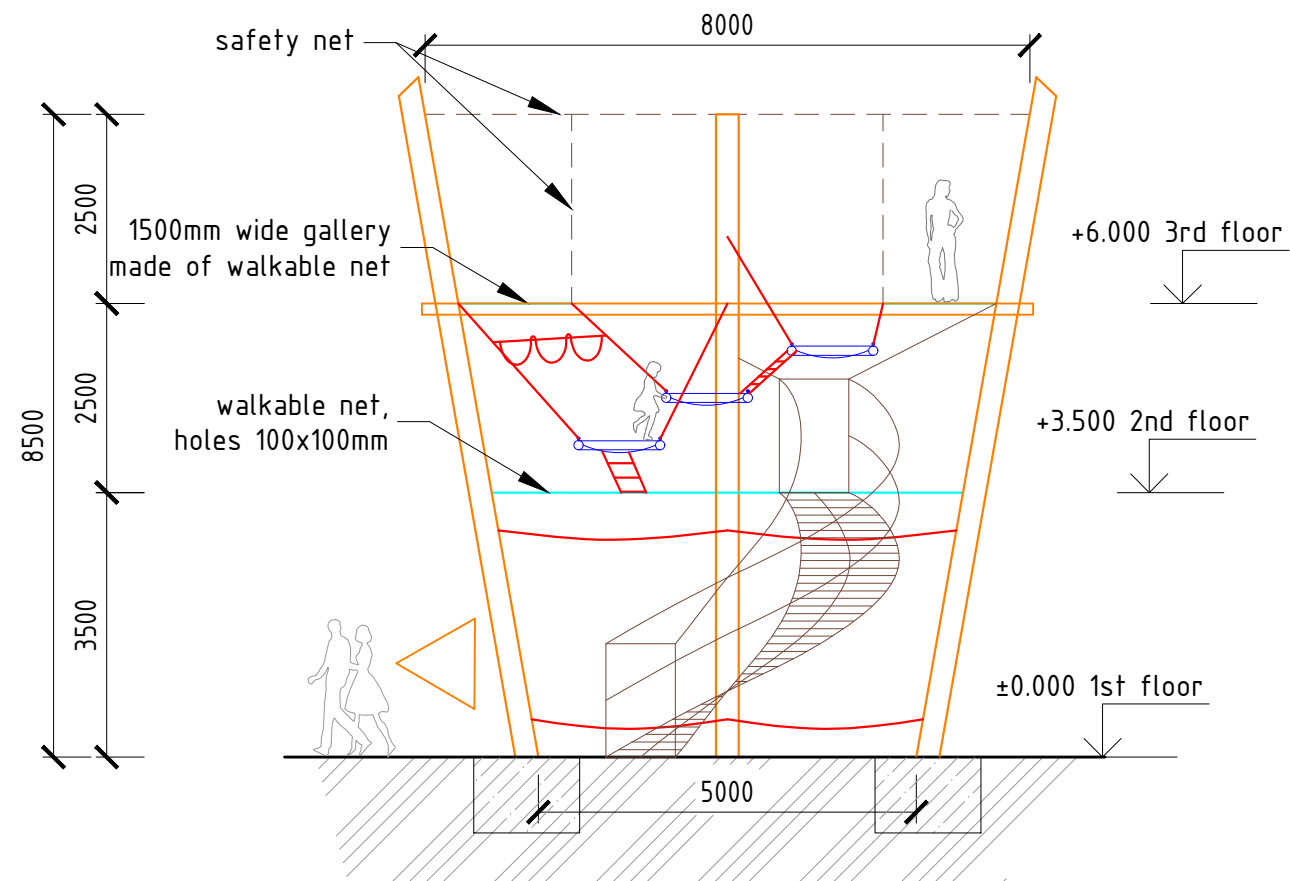
3rd floor



2nd floor



Section



1st floor

